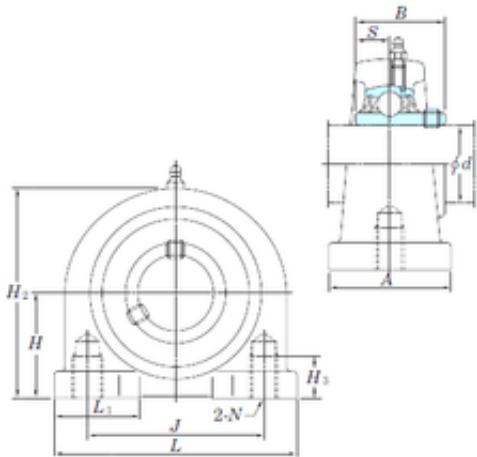




KOYO UCPA209-28 bearing units



Bearing No. UCPA209-28

Bore Diameter	44,45 mm
Width	49,2 mm
d	44,45 mm
H3	25 mm
A	60 mm
B	49,2 mm
H	54,2 mm
H2	106 mm
J	90 mm
L	120 mm
L1	42 mm
S	19 mm
Bolt (G)	M14 x 2
Weight	2,2 Kg
Basic dynamic load rating (C)	34,1 kN
Basic static load rating (C0)	21,3 kN

UCPA209-28 Bearing 2D drawings and 3D CAD models