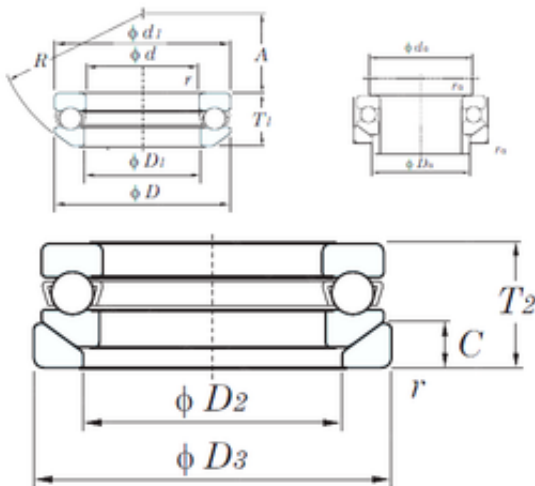




KOYO 53317U thrust ball bearings

Bearing No. 53317U



53317U Bearing 2D drawings and 3D CAD models

Size	85x150x53.1 mm
Bore Diameter	85 mm
Outer Diameter	150 mm
Width	53,1 mm
d	85 mm
D	150 mm
T1	53,1 mm
T2	58 mm
d1	150 mm
r min.	1,5 mm
A	43 mm
C	17,5 mm
D1	88 mm
D2	115 mm
D3	155 mm
R	112 mm
da min.	124 mm
Da max.	111 mm
ra max.	1,5 mm
Weight	4,44 Kg
Basic dynamic load rating (C)	186 kN
Basic static load rating (C0)	419 kN
(Grease) Lubrication Speed	1100 r/min
Bearing No.	53317U
T	58
r(min)	1.5



BEARING MANUFACTURING DE MEXICO,S.A.D...

Ca	232
Coa	419
Cu	17.5
Grease lub.	1100
Oil lub.	1700
d1(max)	150
D1(min)	88
D2(min)	115
D3(min)	155
da(min)	124
Da(max)	111
ra(max)	1.5
(Refer.)Mass(kg)	4.44