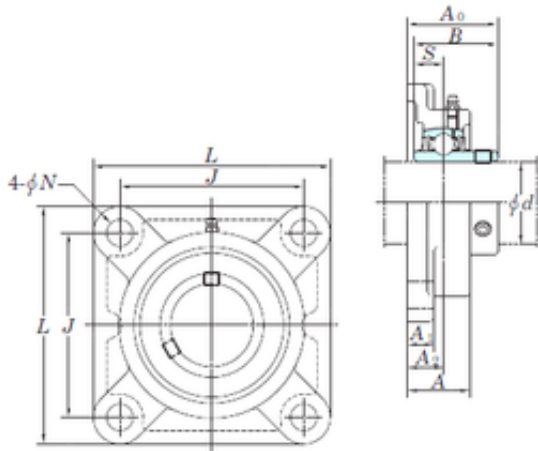




KOYO UCF208 bearing units



Bearing No. UCF208

Bore Diameter	40 mm
d	40 mm
A0	51,2 mm
A	36 mm
A1	15 mm
B	49,2 mm
J	102 mm
L	130 mm
N	16 mm
S	19 mm
Bolt (G)	M14
A2	21 mm
Weight	1,9 Kg
Basic dynamic load rating (C)	29,1 kN
Basic static load rating (C0)	17,8 kN
Bearing No.	UCF208
Bolt size	M14
Cr	29.1
C0r	17.8
f0	14.0
(Refer.)Unit mass(kg)	1.9
Nipple size	1/4-28UNF

UCF208 Bearing 2D drawings and 3D CAD models