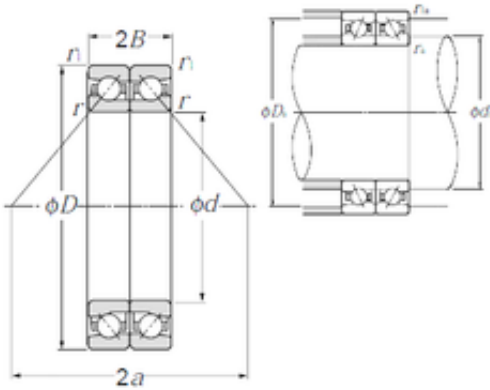




**70 mm x 110 mm x 18 mm NTN HTA014DB  
angular contact ball bearings**



Bearing No. HTA014DB

Size	70x110x18 mm
Bore Diameter	70 mm
Outer Diameter	110 mm
Width	18 mm
d	70 mm
D	110 mm
B	18 mm
C	18 mm
ra1 max.	0,6 mm
r min.	1,1 mm
r1 min.	0,6 mm
2B	36 mm
da min.	80 mm
Da max.	104 mm
ra max.	1 mm
Weight	1,19 Kg
Basic dynamic load rating (C)	41,5 kN
Basic static load rating (C0)	91 kN
(Grease) Lubrication Speed	6 400 r/min

HTA014DB Bearing 2D drawings and 3D CAD models