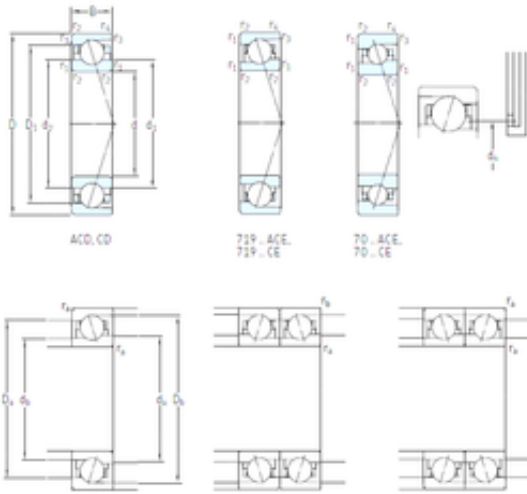




BEARING MANUFACTURING DE MEXICO, S.A.D...



6 mm x 17 mm x 6 mm SKF 706 CE/HCP4A
angular contact ball bearings

Bearing No. 706 CE/HCP4A

706 CE/HCP4A Bearing 2D drawings and 3D CAD models

Size	6x17x6 mm
Bore Diameter	6 mm
Outer Diameter	17 mm
Width	6 mm
d	6 mm
D	17 mm
B	6 mm
C	6 mm
d1	9,2 mm
d2	8,7 mm
r1 min.	0,3 mm
r2 min.	0,3 mm
r3 min.	0,15 mm
r4 min.	0,15 mm
D1	13,9 mm
D2	– mm
da min.	8 mm
Da max.	15 mm
db min	8 mm
ra max.	0,3 mm
rb max.	0,15 mm
dh	10,1 mm
Db max	15,6 mm
Weight	0,005 Kg
Basic dynamic load rating (C)	1,56 kN



BEARING MANUFACTURING DE MEXICO, S.A.D...

Basic static load rating (C ₀)	0,5 kN
(Grease) Lubrication Speed	170 000 r/min
(Oil) Lubrication Speed	260 000 r/min
Fatigue load limit (P _u)	0,022
d ₁	9.2 mm
d ₂	8.7 mm
D ₁	13.9 mm
r _{1,2} min.	0.3 mm
r _{3,4} min.	0.15 mm
a	4.6 mm
d _a min.	8 mm
d _b min.	8 mm
D _a max.	15 mm
D _b max.	15.6 mm
r _a max.	0.3 mm
r _b max.	0.15 mm
d _n	10.1 mm
Basic dynamic load rating C	1.56 kN
Basic static load rating C ₀	0.5 kN
Fatigue load limit P _u	0.022 kN
Attainable speed for grease lubrication	170000 r/min
Attainable speed for oil-air lubrication	260000 r/min
Ball diameter D _w	3.175 mm
Number of balls z	8
Reference grease quantity G _{ref}	0.09 cm ³
Preload class A G _A	10 N
Static axial stiffness, preload class A	9 N/ μ m
Preload class B G _B	25 N
Static axial stiffness, preload class B	13 N/ μ m



BEARING MANUFACTURING DE MEXICO,S.A.D...

Preload class C G_C	50 N
Static axial stiffness, preload class C	18 N/ μ m
Calculation factor f	1.02
Calculation factor f_1	1
Calculation factor f_{2A}	1
Calculation factor f_{2B}	1.03
Calculation factor f_{2C}	1.05
Calculation factor f_{HC}	1.01
Calculation factor f_0	6.4
Mass bearing	0.005 kg