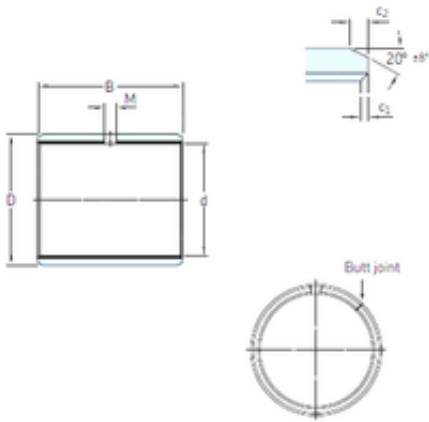




BEARING MANUFACTURING DE MEXICO,S.A.D...



70 mm x 75 mm x 70 mm SKF PCM 707570 E
plain bearings

Bearing No. PCM 707570 E

PCM 707570 E Bearing 2D drawings and 3D CAD models

Size	70x75x70 mm
Bore Diameter	70 mm
Outer Diameter	75 mm
Width	70 mm
d	70 mm
D	75 mm
B	70 mm
c1 min	0,2 mm
c2 min	1,2 mm
M	– mm
Weight	0,3 Kg
Basic dynamic load rating (C)	390 kN
Category	Plain Bearings
Inventory	0.0
Manufacturer Name	SKF
Minimum Buy Quantity	N/A
Weight / Kilogram	0.334
EAN	7316571902784
Product Group	B04264
c ₁ min.	0.2 mm
c ₁ max.	1 mm
c ₂ min.	1.2 mm
c ₂ max.	2.4 mm
± 8	20 °
Tolerance shaft	f7



BEARING MANUFACTURING DE MEXICO,S.A.D...

Tolerance housing	H7
Basic dynamic load rating - radial direction C	390 kN
Basic static load rating - radial direction C_0	1220 kN
Specific dynamic load factor K	80 N/mm ²
Specific static load factor K_0	250 N/mm ²
Factor depending on material and bearing type K_M	480
Permissible sliding velocity v min.	0 m/s
Permissible sliding velocity v max.	2 m/s
Coefficient of friction μ min.	0.03
Coefficient of friction μ max.	0.25
Mass bushing	0.3 kg