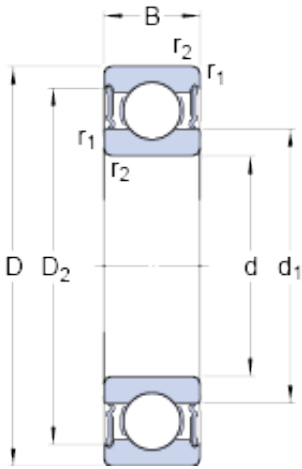




# BEARING MANUFACTURING DE MEXICO, S.A.D...



160 mm x 240 mm x 38 mm SKF 6032-2RS1  
deep groove ball bearings

Bearing No. 6032-2RS1

6032-2RS1 Bearing 2D drawings and 3D CAD models

Size	240x160x38 mm
Bore Diameter	240 mm
Outer Diameter	160 mm
Width	38 mm
d	160 mm
D	240 mm
B	38 mm
d <sub>1</sub>	185.7 mm
D <sub>2</sub>	218.9 mm
d <sub>a</sub> - min.	169 mm
d <sub>a</sub> - max.	185 mm
D <sub>a</sub> - max.	231 mm
r <sub>a</sub> - max.	2 mm
Basic dynamic load rating - C	143 kN
Basic static load rating - C <sub>0</sub>	143 kN
Fatigue load limit - P <sub>u</sub>	4.3 kN
Limiting speed	1600 r/min
Calculation factor - k <sub>r</sub>	0.025
Calculation factor - f <sub>0</sub>	15.9
Category	Single Row Ball Bearings
Inventory	0.0
Manufacturer Name	SKF
Minimum Buy Quantity	N/A
Weight / Kilogram	5.35



## BEARING MANUFACTURING DE MEXICO,S.A.D...

EAN	7316577740670
Product Group	B00308
Enclosure	2 Seals
Precision Class	ABEC 1   ISO P0
Maximum Capacity / Filling Slot	No
Rolling Element	Ball Bearing
Snap Ring	No
Internal Special Features	No
Cage Material	Steel
Enclosure Type	Contact Seal
Internal Clearance	C0-Medium
Inch - Metric	Metric
Long Description	160MM Bore; 240MM Outside Diameter; 38MM Outer Race Diameter; 2 Seals; Ball Bearing; ABEC 1   ISO P0; No Filling Slot; No Snap Ring; No Internal Special Features
Category	Single Row Ball Bearing
UNSPSC	31171504
Harmonized Tariff Code	8482.10.50.68
Noun	Bearing
Keyword String	Ball
Manufacturer URL	<a href="http://www.skf.com">http://www.skf.com</a>
Manufacturer Item Number	6032-2RS1
Weight / LBS	11.78
Bore	6.299 Inch   160 Millimeter
Outside Diameter	9.449 Inch   240 Millimeter
Outer Race Width	1.496 Inch   38 Millimeter
bore diameter:	160 mm
static load capacity:	143 kN
outside diameter:	240 mm



## BEARING MANUFACTURING DE MEXICO,S.A.D...

precision rating:	Not Rated
overall width:	38 mm
finish/coating:	Uncoated
bore type:	Round
cage material:	Steel
closure type:	Double Sealed
outer ring width:	38 mm
row type & fill slot:	Single Row Non-Fill Slot
fillet radius:	2 mm
internal clearance:	C0
maximum rpm:	1600 RPM
operating temperature range:	-40 to +210 ° F
series:	60
dynamic load capacity:	143 kN
$d_1$	185.7 mm
$D_2$	218.9 mm
$r_{1,2}$ min.	2.1 mm
$d_a$ min.	169 mm
$d_a$ max.	185 mm
$D_a$ max.	231 mm
$r_a$ max.	2 mm
Basic dynamic load rating C	143 kN
Basic static load rating $C_0$	143 kN
Fatigue load limit $P_u$	4.3 kN
Calculation factor $k_r$	0.025
Calculation factor $f_0$	15.9
Mass bearing	5.32 kg