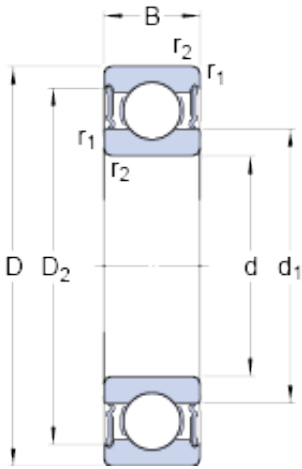




# BEARING MANUFACTURING DE MEXICO, S.A.D...



## 35 mm x 55 mm x 10 mm SKF W 61907-2RS1 deep groove ball bearings

Bearing No. W 61907-2RS1

W 61907-2RS1 Bearing 2D drawings and 3D CAD models

Size	55x35x10 mm
Bore Diameter	35 mm
Outer Diameter	55 mm
Width	10 mm
d	35 mm
D	55 mm
B	10 mm
d <sub>1</sub>	42.2 mm
D <sub>2</sub>	52.15 mm
r <sub>1,2</sub> - min.	0.6 mm
d <sub>a</sub> - min.	39 mm
d <sub>a</sub> - max.	42 mm
D <sub>a</sub> - max.	52.5 mm
r <sub>a</sub> - max.	0.6 mm
Basic dynamic load rating - C	9.4 kN
Basic static load rating - C <sub>0</sub>	7.6 kN
Fatigue load limit - P <sub>u</sub>	0.325 kN
Limiting speed	7500 r/min
Calculation factor - k <sub>r</sub>	0.025
Calculation factor - f <sub>0</sub>	15.7
Category	Single Row Ball Bearings
Inventory	0.0
Manufacturer Name	SKF
Minimum Buy Quantity	N/A



## BEARING MANUFACTURING DE MEXICO,S.A.D...

Weight / Kilogram	0
Product Group	B00308
Enclosure	2 Seals
Precision Class	ABEC 1   ISO P0
Maximum Capacity / Filling Slot	No
Rolling Element	Ball Bearing
Snap Ring	No
Internal Special Features	No
Cage Material	Stainless Steel
Enclosure Type	Contact Seal
Internal Clearance	C0-Medium
Inch - Metric	Metric
Long Description	35MM Bore; 55MM Outside Diameter; 10MM Outer Race Width; 2 Seals; Ball Bearing; ABEC 1   ISO P0; No Filling Slot; No Snap Ring; No Internal Special Features; C0-Medium Internal Clearance; Stainless St
Other Features	Deep Groove   NBR Seal
Category	Single Row Ball Bearing
UNSPSC	31171504
Harmonized Tariff Code	8482.10.50.68
Noun	Bearing
Keyword String	Ball
Manufacturer URL	<a href="http://www.skf.com">http://www.skf.com</a>
Weight / LBS	0.1642
Outer Race Width	0.394 Inch   10 Millimeter
Inner Race Width	0 Inch   0 Millimeter
Bore	1.378 Inch   35 Millimeter
Outside Diameter	2.165 Inch   55 Millimeter
d <sub>1</sub>	42.2 mm



## BEARING MANUFACTURING DE MEXICO,S.A.D...

$D_2$	52.15 mm
$r_{1,2}$ min.	0.6 mm
$d_a$ min.	39 mm
$d_a$ max.	42 mm
$D_a$ max.	52.5 mm
$r_a$ max.	0.6 mm
Basic dynamic load rating C	9.36 kN
Basic static load rating $C_0$	7.65 kN
Fatigue load limit $P_u$	0.325 kN
Calculation factor $k_r$	0.025
Calculation factor $f_0$	15.7
Mass bearing	0.073 kg