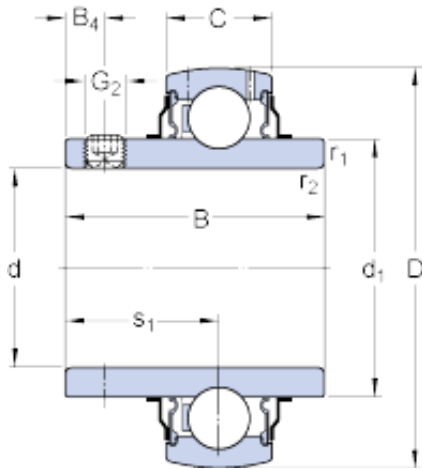




BEARING MANUFACTURING DE MEXICO, S.A.D...



26.988 mm x 62 mm x 38.1 mm SKF E2.YAR
206-101-2F deep groove ball bearings

Bearing No. E2.YAR 206-101-2F

E2.YAR 206-101-2F Bearing 2D drawings and 3D CAD models

Size	62x26.988x38.1 mm
Bore Diameter	62 mm
Outer Diameter	26,988 mm
Width	38,1 mm
d	26.988 mm
D	62 mm
B	38.1 mm
C	18 mm
d ₁	39.7 mm
B ₄	5 mm
r _{1,2} - min.	0.6 mm
s ₁	22.2 mm
Basic dynamic load rating - C	19.5 kN
Basic static load rating - C ₀	11.2 kN
Fatigue load limit - P _u	0.475 kN
Limiting speed with shaft tolerance h6	6300 r/min
Calculation factor - f ₀	14
Mass bearing	0.34 kg
Thread - G ₂ - 1/4-28 UNF	1/428 UNF
Hexagonal key size for grub screw - H	3.175 mm